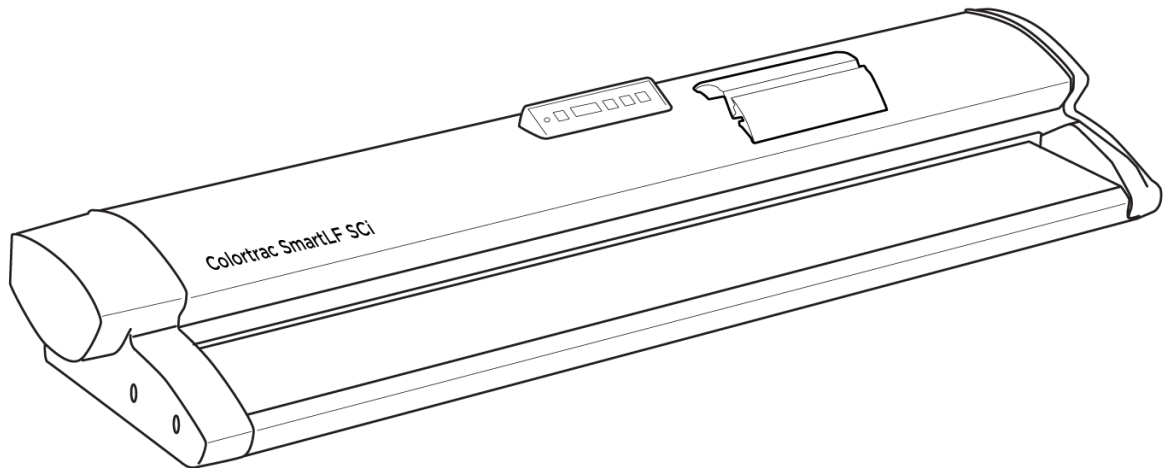


User Instructions

For SmartLF SCi 25/36/42

Large Format Scanner

Doc. 5500C224-4 Jan 2021

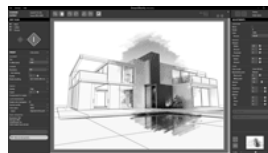


1

SmartWorks Imaging

SmartWorks TOUCH

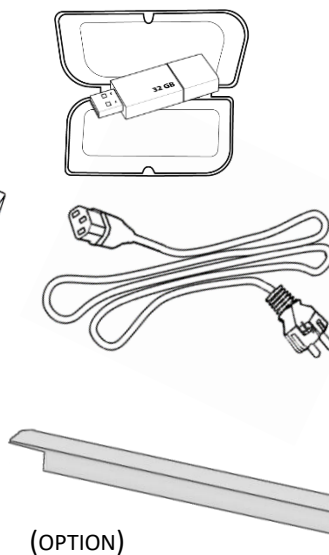
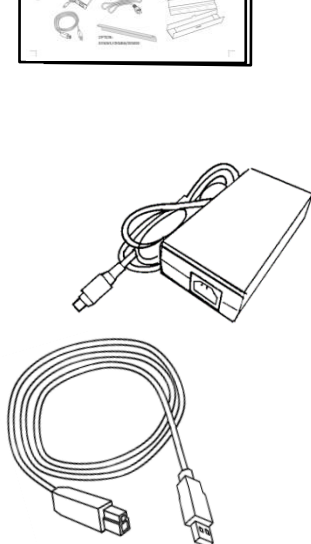
SmartWorks Pro



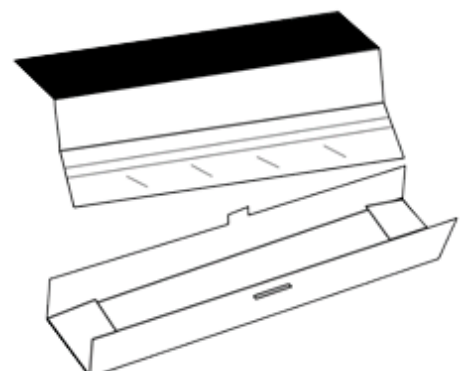
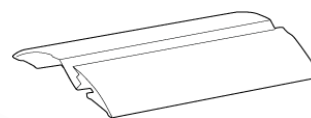
(OPTION)

(Free)

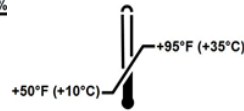
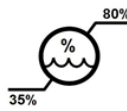
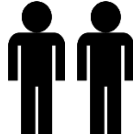
(OPTION)



(OPTION)

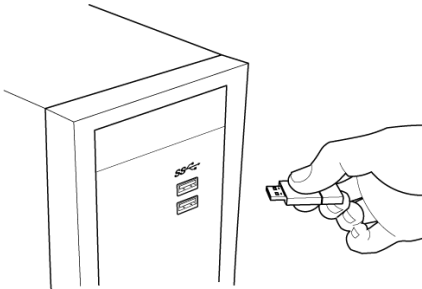


2



3

SOFTWARE INSTALL

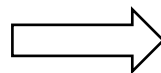
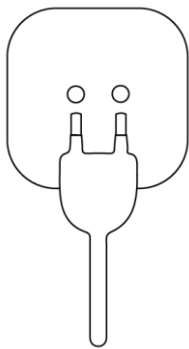


DVD Drive (D:) CTR_SW_USB

- AutoPlay
- lua5.1.dll
- lua51.dll
- Setup.exe



DO NOT CONNECT THE SCANNER



Global Scanning X

SmartLF driver, utilities and SmartWorks Imaging scanning software

- SmartConnect and SmartWorks Imaging
- SCi User Guide
- SGi User Guide

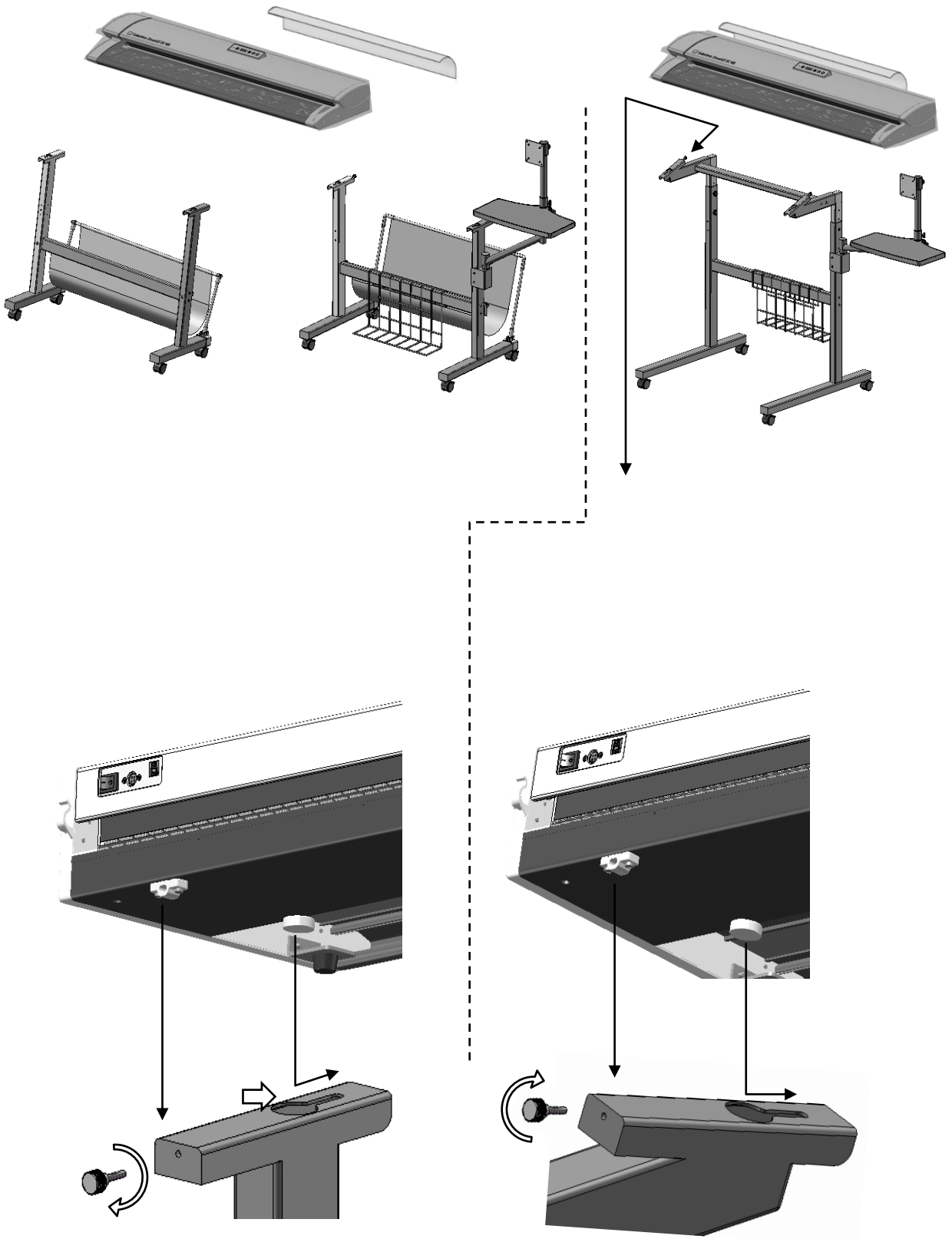
[More scanning software](#)

[Exit](#)

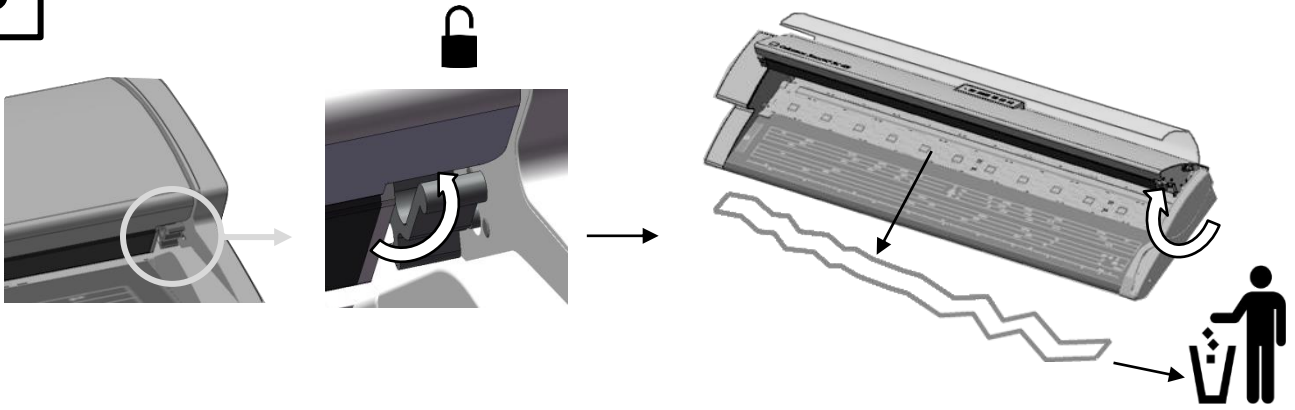
9850A105_Build0_0_0_2 - Jan 2021

1. Ensure you are logged into the PC as the Local Administrator so the scanner will be available to each User as they login to PC & Domain.
2. SmartConnect must be installed on your PC for correct scanner operation/maintenance.
3. During install of SmartWorks Imaging you will be required to register your product. In the event that your IT permissions do not allow registration dis-connect PC from Internet & re-install.

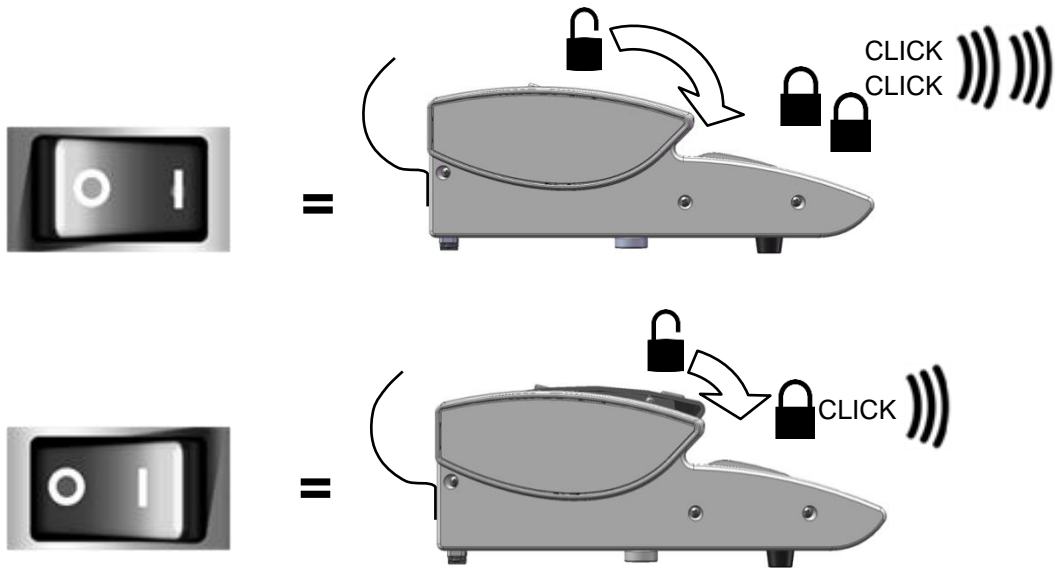
4



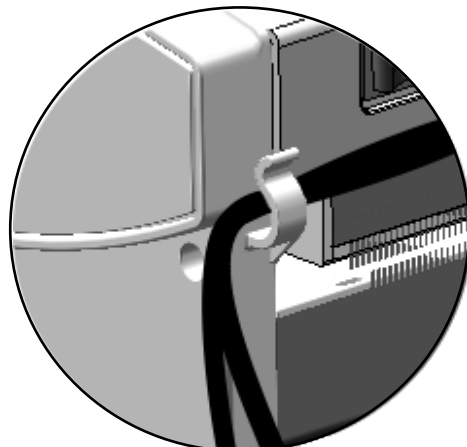
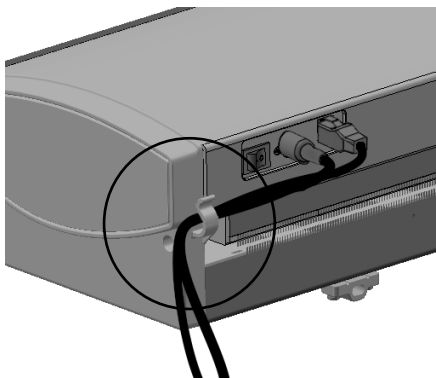
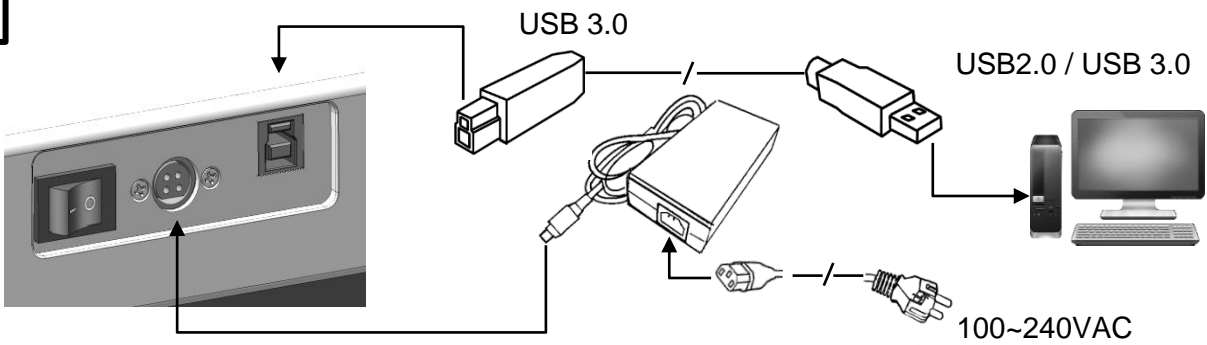
5



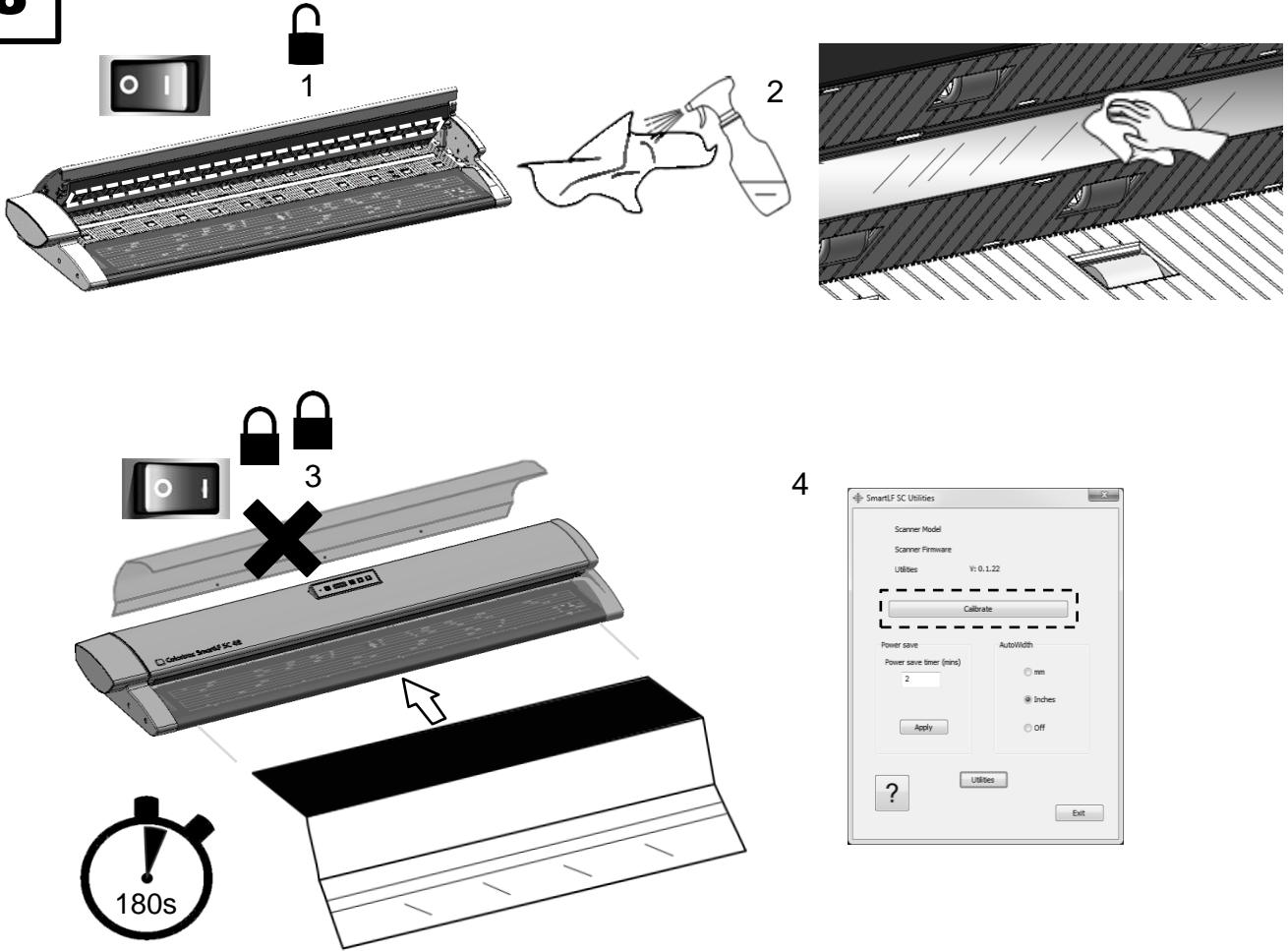
6



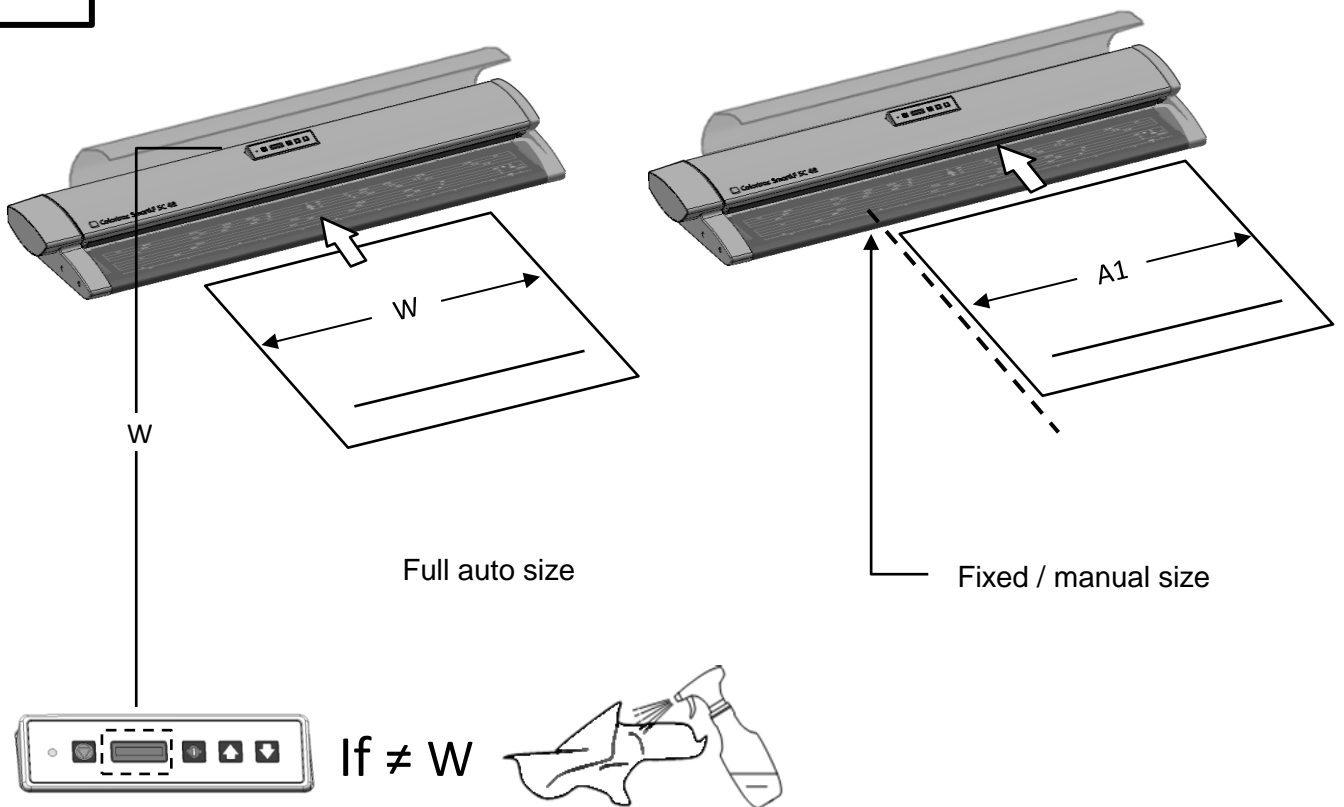
7



8

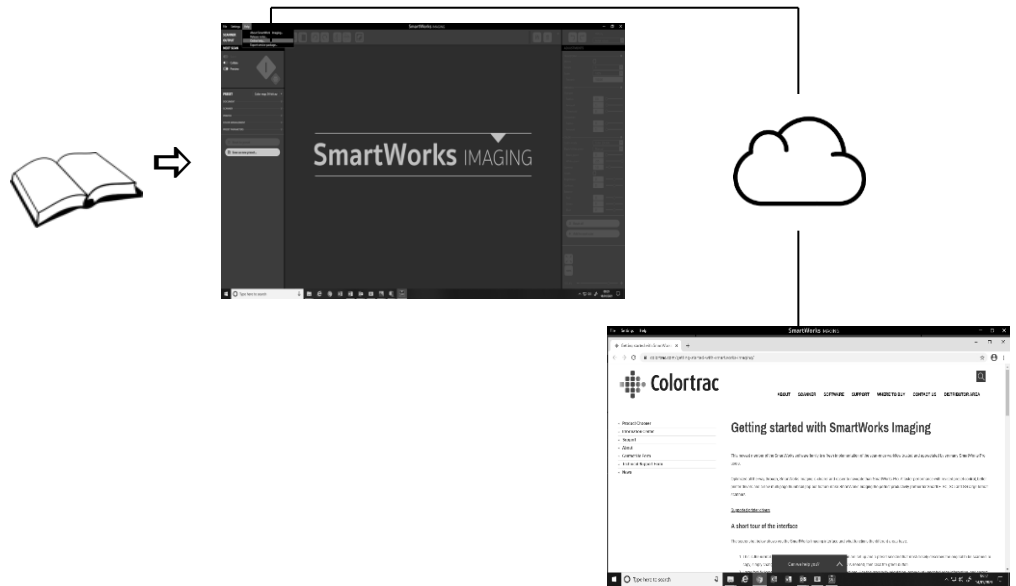


9

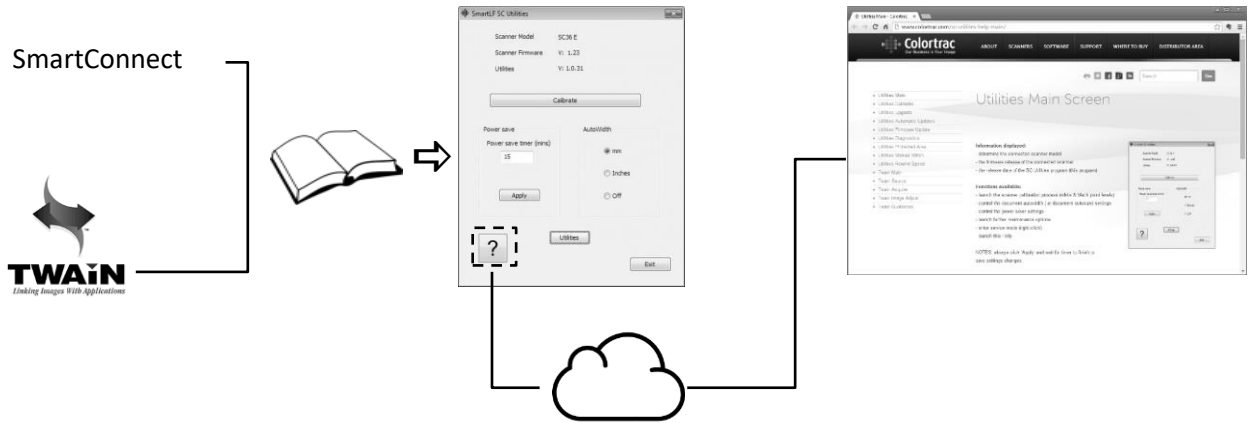


10

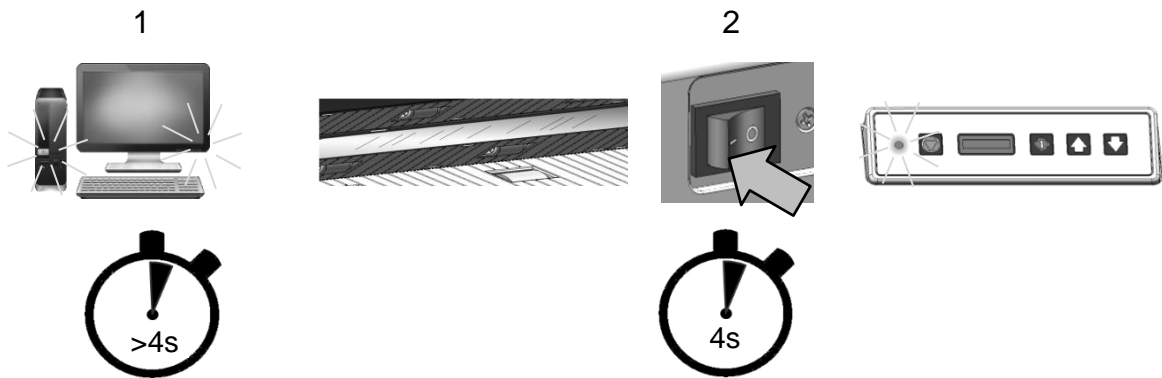
SmartWorks Imaging



SmartConnect



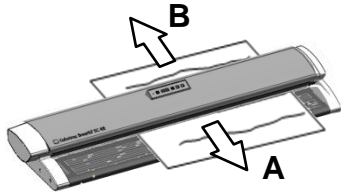
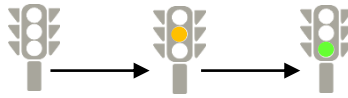
11



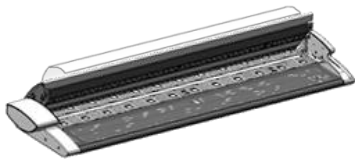
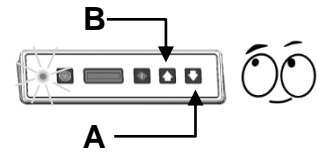
12



POWER ON



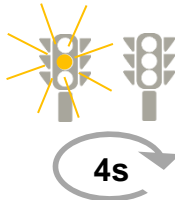
FEEDING / LOADING PAPER



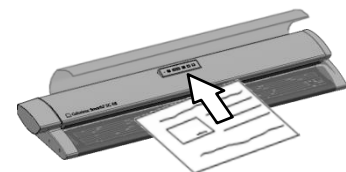
LID OPEN



SLEEPING

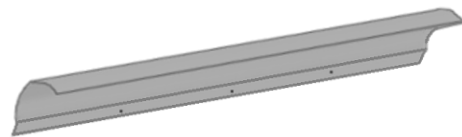
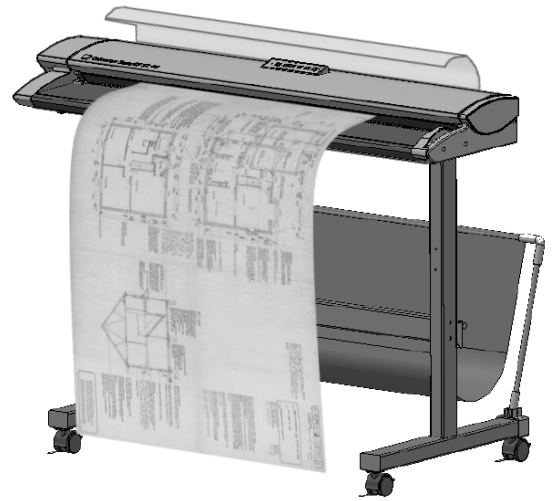
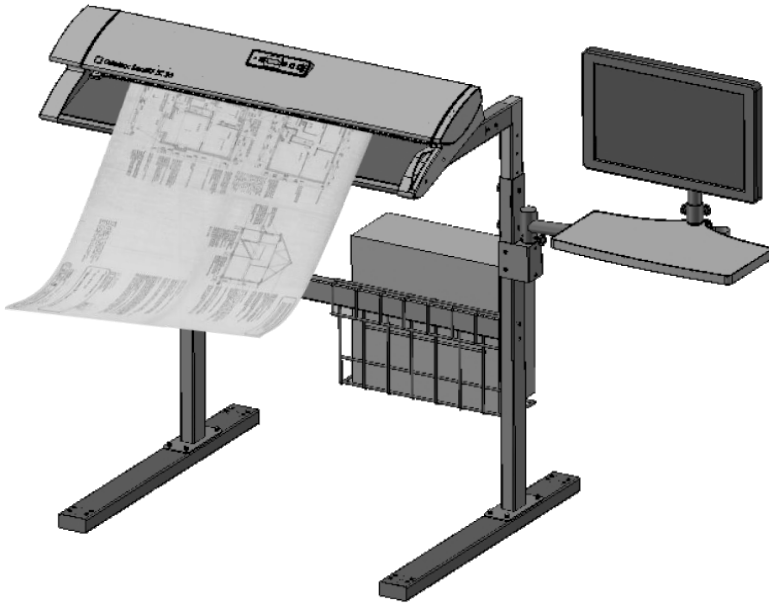


READY

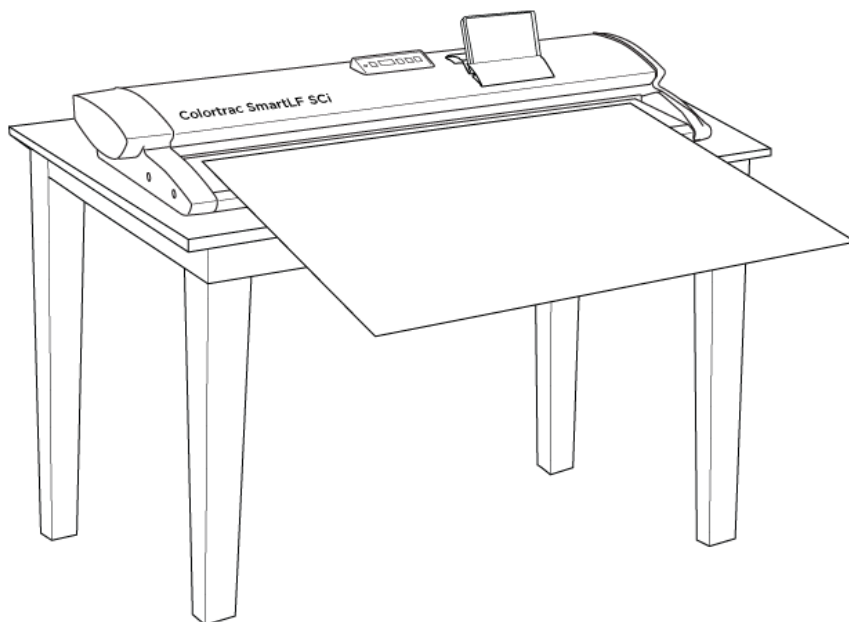


13

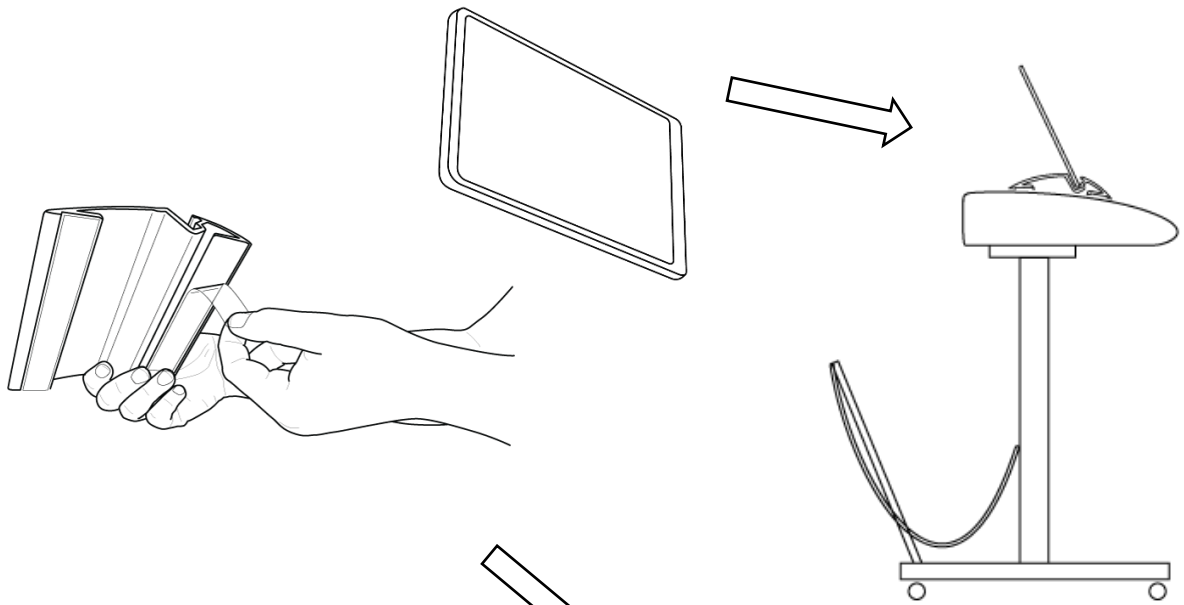
PAPER / FILM



HEAVY PAPER / CARD



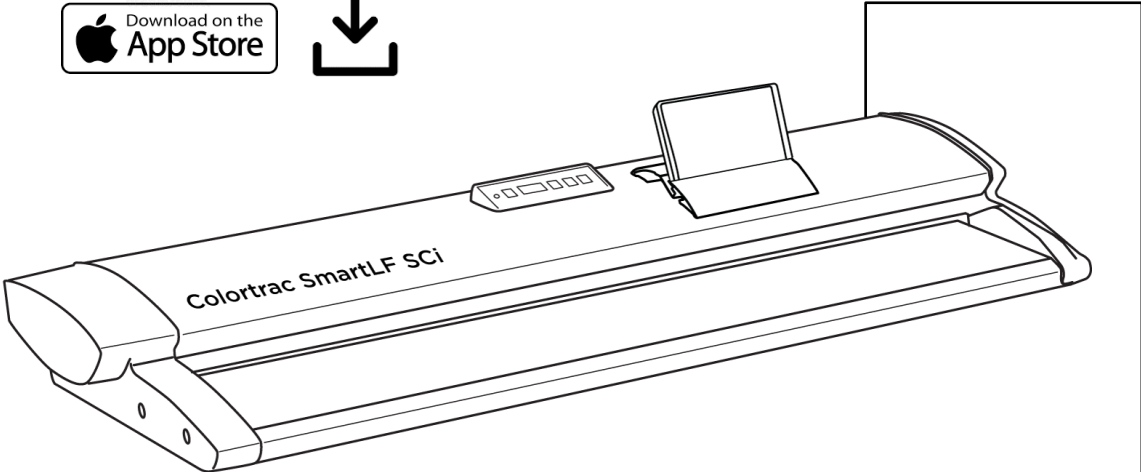
14



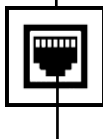
SMARTWORKS IMAGING LINK



USB 3.0



OFFICE WI-FI



SMARTWORKS IMAGING

15

Manufacturer:

Global Scanning UK Ltd

3-5 Brunel Court
Burrell Road
St Ives
Cambridgeshire
PE27 3LW
United Kingdom

Details of Electrical Equipment

Model Number: SmartLF SC 25/36/42

Description: Large Format Colour Document Scanner

Directives this equipment complies with:

Low Voltage Directive 2006/95/EC, EMC Directive 2004/108/EC

RoHS Directive 2011/65/EU, ENERGY STAR ®: Program Requirements for Imaging Equipment: Version 2.0

Harmonised standards applied in order to verify compliance with Directive:

| | |
|---------------------------------|---------------------------------------|
| EN 55032:2015+AC 2016 (Class A) | IEC 61000-4-2 : 2008 |
| EN 61000-3-2: 2014 | IEC 61000-4-3 : 2006+A1:2007+A2 :2010 |
| EN 61000-3-3: 2013 | IEC 61000-4-4 : 2012 |
| EN 55024: 2010+A1 :2015 | IEC 61000-4-5 : 2014+AMD1 :2017 CSV |
| | IEC 61000-4-6 : 2013 |
| | IEC 61000-4-8 : 2009 |
| | IEC 61000-4-11 : 2004+AMD1:2017 CSV |

Warning

This is a Class A product. In a domestic environment this product may cause radio interference in which case the user may be required to take adequate measures

BELOW: Product warning for Class A product written in Japanese (to comply with Japanese certification and approvals).

この装置は、クラスA情報技術装置です。この装置を家庭環境で使用すると電波妨害を引き起こすことがあります。この場合には使用者が適切な対策を講ずるよう要求されることがあります。 VCCI-A

Test report issued by: CERPASS Technology (SUZHOU) Co., Ltd.

Year in which CE mark was affixed: 2014 (Attestation Number: SECE1905076)

Signed:

Date: December 2018

Henrik Rasmussen
VP Research & Development
Global Scanning



Other Standards Complied with:

China Compulsory CertificateCCC (China) #20120010906547820 / GB9254-2008 (Class A), GB 4943-2001 GB17625.1-2003 Ref No. CNCA-01C-20:2010 Aug 27th 2012.**CB Certification (IECEE) CB SCHEME**

DK-26312-A2-UL additionally evaluated to EN 60950-1: 2006/A11: 2009/A1: 2010/A12: 2011; IEC 60950-1(ed.2), IEC 60950-1(ed.2); am1, national differences specified in CB test report # U1207234-769 issued 2012-08-17. VCCI #V3/2013.04 Class A ITE (SEJV1404047).

Federal Communications Commission (FCC) Declaration of Electromagnetic Conformity

Standards Complied with:-

47 CFR, Part2 Part 15 and CISPR PUB 22 Applicable to ANSI C63.4-2009 (Assessed against CISPR PUB.22 and FCC Part 15 subpart B).

Report No. SEFV1207118 and the serials report SEFV1209009 apply.

We also refer 15.21 and 15.105 of the FCC regulations:

Section 15.21 Information to the user

An intentional or unintentional radiator shall caution the user that changes or modifications not expressly approved by the party responsible for compliance could void the user's authority to operate the equipment.

Section 15.105 Information to the user

NOTE: This equipment has been tested and found to comply with the limits for a Class A digital device, pursuant to Part 15 of the FCC Rules. These limits are designed to provide reasonable protection against harmful interference when the equipment is operated in a commercial environment. This equipment generates, uses, and can radiate radio frequency energy and, if not installed and used in accordance with the instruction manual, may cause harmful interference to radio communications. Operation of this equipment in a residential area is likely to cause harmful interference in which case the user will be required to correct the interference at his/her own expense.

UL Certification for SmartLF SC 25/36/42 and SmartLF SC 25/36/42 Accessories

All SmartLF SC scanner devices referenced in this document have UL accreditation:

UL 60950-1, 2nd Edition, 2011-12-19 (Information Technology Equipment - Safety - Part 1: General Requirements) Test Report File No: E323749-A5-UL May 15th 2012 Project No. 12CA16480 (SC 42) and UL 60950-1 Test Report File No: E323749 Vol.X1 August 24th 2012, Project Number 12CA41598 (SC 25/36) refer.

CSA C22.2 No. 60950-1-07, 2nd Edition, 2011-12 (Information Technology Equipment - Safety - Part 1: General Requirements)
UL 60950-1, 2nd Edition, 2011-12 (Information Technology Equipment - Safety - Part 1: General Requirements)

SmartLF stand accessories (where purchased by the customer) have been tested and comply with the stability and general safety requirements of UL guidelines. The scanner accessories are intended for use only with the SmartLF and must be assembled by a responsible person following the directions provided in the kit instructions.

SC25/36/42 Scanner
SC25/36/42 Scanner + Floor Stand
SC25/36/42 Scanner + Repro Stand - PC (optional) + Monitor (optional)
SC25/36/42 Scanner + PC Mounting Option - PC (optional) + Monitor (optional)

FOR SAFETY CONSIDERATION WEIGHTS AND SIZES MUST BE LIMITED TO:

PC – less than 15kg, maximum dimensions 43 x 42 x 18 cm
MONITOR – less than 6kg, maximum dimension 22 inches

RoHS and WEEE Directives (European Union)

SmartLF SC 25/36/42 comply with RoHS Directive 2011/65/EU



All Colortrac products (from mid-May 2006) have been manufactured in accordance with the RoHS (Restriction of Hazardous Substances) which imposes controls against the use of lead in solder and other substances harmful to the environment in the production of all new electrical equipment.

This symbol on the product indicates that it must not be disposed of in unsorted municipal waste. In accordance with WEEE (Waste Electrical & Electronic Equipment) it is your responsibility to hand it over to a designated collection point and ensure that it is recycled or disposed of properly at the end of its useful life. The separate collection of your waste equipment will help to conserve natural resources and ensure that it is recycled in a way that will protect human health. For more detailed information contact your local Civic Office or outlet where the equipment was purchased.

Disclaimer

The entire risk of the use or the result of the use of this hardware or documentation remains with the user. No part of this documentation may be reproduced or transmitted in any means, electronic or mechanical, for any purpose, except with the express prior written permission of Global Scanning UK Ltd.

Global Scanning UK Ltd makes no warranty claims with respect to this documentation and disclaims any implied warranties of merchantability or fitness for a particular purpose. The information contained in this document is subject to change without notice. Global Scanning UK Ltd assumes no responsibility for errors or omissions that may appear in this documentation © Global Scanning UK 2016.

RoHS information for users in Taiwan

| 單元 Unit | 限用物質及其化學符號 Restricted substances and its chemical symbols | | | | | |
|---|--|----------------------|----------------------|--|--|---|
| | 鉛 Lead (Pb) | 汞 Mercury (Hg) | 鎘 Cadmium (Cd) | 六價鉻 Hexavalent Chromium (Cr ⁺⁶) | 多溴聯苯 PolyBrominated Biphenyls (PBB) | 多溴二苯醚 PolyBrominated Diphenyl Ethers (PBDE) |
| 外置電源供應器 | ○ | ○ | ○ | ○ | ○ | ○ |
| 主控制電路板 | ○ | ○ | ○ | ○ | ○ | ○ |
| 電源模組 (插接器、開關) | ○ | ○ | ○ | ○ | ○ | ○ |
| 馬達 | ○ | ○ | ○ | ○ | ○ | ○ |
| 掃描玻璃 (原稿檯面) | ○ | ○ | ○ | ○ | ○ | ○ |
| 掃描鏡頭組件 (鏡頭玻璃) | ○ | ○ | ○ | ○ | ○ | ○ |
| 左右兩側塑膠殼 | ○ | ○ | ○ | ○ | ○ | ○ |
| 上下蓋金屬外殼 | ○ | ○ | ○ | ○ | ○ | ○ |
| LED 燈條 | ○ | ○ | ○ | ○ | ○ | ○ |
| 備考 1. 超出 0.1 wt % 及 "超出 0.01 wt %" 係指限用物質之百分比含量超出百分比含量基準值。 NOTE 1. "Exceeding 0.1 wt %" and "exceeding 0.01 wt %" indicate that the percentage content of the restricted substance exceeds the reference percentage value of presence condition. 備考 2. "○" 係指該項限用物質之百分比含量未超出百分比含量基準值。 NOTE 2. "○" indicates that the percentage content of the restricted substance does not exceed the percentage of reference value of presence. 備考 3. " - " 係指該項限用物質為排除項目。 NOTE3. " - " indicates that the restricted substance corresponds to the exemption. | | | | | | |

This document should not be copied without prior permission from:

Global Scanning UK Ltd, 3-5 Brunel Court St. Ives Cambridgeshire PE27 3LW United Kingdom
Tel: +44 (0) 1480 464618, Fax: +44 (0) 1480 464620

www: www.colortrac.com email: info@colortrac.com